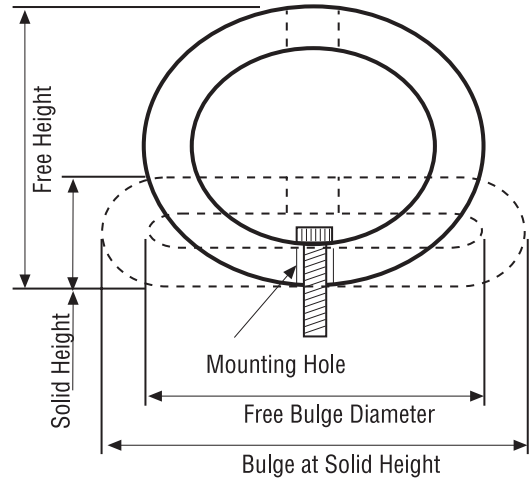


TecsPak® Bumpers

GBR

- Business Machines
- Pneumatically Powered Equipment
- Robotics, Light Weight Automatic Machinery and Scale Apparatus
- Electronic Switch Gears
- Door/Shroud and Enclosures
- Ventilation Dampers
- Fitness Equipment
- Amusement Rides



BUMPER	FREE HEIGHT	FREE BULGE	WIDTH OPENING	MOUNTING HOLE	SOLID HEIGHT	BULGE @ SOLID HT.	RATED ENERGY CAPACITY (IN-LBS.)	PEAK DYNAMIC FORCE (LBS.)	SHIPPING WEIGHT (OZ.)
GBR-1	0.97	1.12	0.52	0.22	0.32	1.51	10	75	0.24
GBR-2	1.25	1.44	0.76	0.22	0.41	1.96	20	100	0.48
GBR-3	1.47	1.68	0.78	0.22	0.48	2.27	30	150	0.6
GBR-4	1.72	1.95	1.35	0.22	0.37	2.68	50	200	0.9
GBR-5	2.17	2.48	1.70	0.22	0.47	3.43	100	300	1.8
GBR-6	2.31	2.61	1.82	0.22	0.74	3.47	200	475	2.8
GBR-7	2.65	3.00	1.80	0.28	0.85	4.03	300	600	3.6
GBR-8	2.88	3.28	2.00	0.28	0.92	4.30	400	725	5.3
GBR-9	2.88	3.33	2.65	0.40	0.92	4.37	600	1,000	6.9
GBR-10	3.27	3.67	3.25	0.40	1.03	4.87	800	1,250	10.3
GBR-11	3.47	3.94	3.20	0.40	1.11	5.22	1,000	1,400	11.4