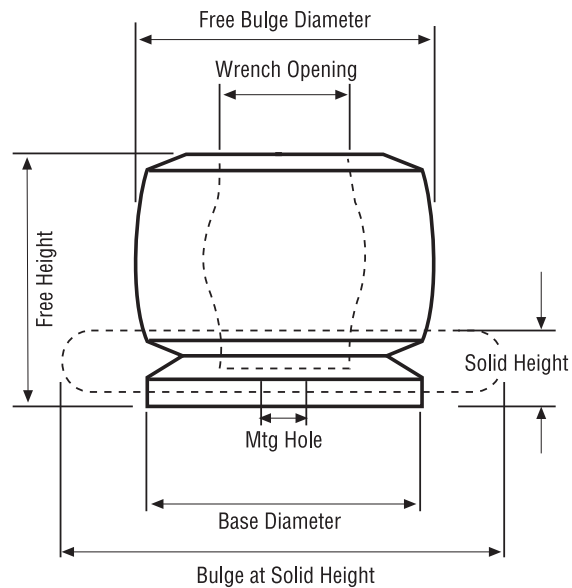


GBA-S

- Hydraulic and Pneumatic Actuated Machinery
- Packaging, Bottling, Canning, Sealing, Wrapping and Textile Machinery
- High Capacity Machine Tools/ Robotics
- Carriage and Turret Stops



BUMPER	FREE HEIGHT	FREE BULGE	WRENCH OPENING	BASE DIA.	MOUNTING HOLE	SOLID HEIGHT	BULGE @ SOLID HT.	RATED ENERGY CAPACITY (IN-LBS.)	PEAK DYNAMIC FORCE (LBS.)	SHIPPING WEIGHT (OZ.)
GBA-101S	0.82	0.79	0.48	0.73	0.31	0.40	1.08	50	300	0.14
GBA-102S	1.09	1.02	0.63	0.98	0.31	0.53	1.45	100	400	0.32
GBA-103S	1.27	1.24	0.77	1.18	0.31	0.63	1.72	200	600	0.56
GBA-104S	1.42	1.38	0.84	1.28	0.31	0.69	1.90	250	700	0.77
GBA-105S	1.48	1.46	0.82	1.35	0.31	0.73	1.99	300	900	1.00
GBA-106S	1.63	1.60	0.93	1.48	0.55	0.79	2.17	400	1,100	1.30
GBA-107S	1.77	1.73	0.97	1.58	0.55	0.86	2.35	550	1,300	1.50
GBA-108S	1.91	1.88	1.09	1.73	0.55	0.92	2.53	700	1,600	2.10
GBA-109S	2.03	1.99	1.12	1.85	0.55	0.99	2.71	800	1,900	2.50
GBA-110S	2.18	2.11	1.21	1.97	0.55	1.06	2.89	1,000	2,000	2.80
GBA-111S	2.33	2.28	1.30	2.09	0.55	1.12	3.07	1,200	2,200	3.50
GBA-112S	2.45	2.40	1.39	2.21	0.81	1.19	3.25	1,400	2,600	4.20
GBA-113S	2.58	2.53	1.46	2.33	0.81	1.25	3.43	1,700	3,000	5.00
GBA-114S	2.71	2.67	1.51	2.48	0.81	1.32	3.61	2,000	3,500	5.70
GBA-115S	2.96	2.94	1.70	2.71	0.80	1.45	3.97	2,500	3,500	7.40
GBA-116S	3.11	3.05	1.82	2.82	0.81	1.52	4.15	3,000	3,700	8.50
GBA-117S	3.31	3.24	1.88	2.95	0.81	1.58	4.33	3,500	4,300	9.60
GBA-118S	3.36	3.29	1.97	3.07	0.81	1.65	4.52	4,000	4,400	10.60
GBA-119S	3.62	3.55	2.14	3.32	0.81	1.78	4.88	5,000	5,300	13.80
GBA-120S	4.31	4.22	2.56	3.95	0.81	2.11	5.78	8,000	5,500	21.60