

ASB 7/8" Bore SHOK BLOC®

INFORMATION FOR ASB SHOCKS

- 1, 2 AND 3" STROKE SIZES
- COMPACT, ONE PIECE BODY
- FIELD ADJUSTABLE
- INTERCHANGABLE WITH LOWER CAPACITY UNITS
- RUGGED, FEW MOVING PARTS
- OFF THE SHELF DELIVERY



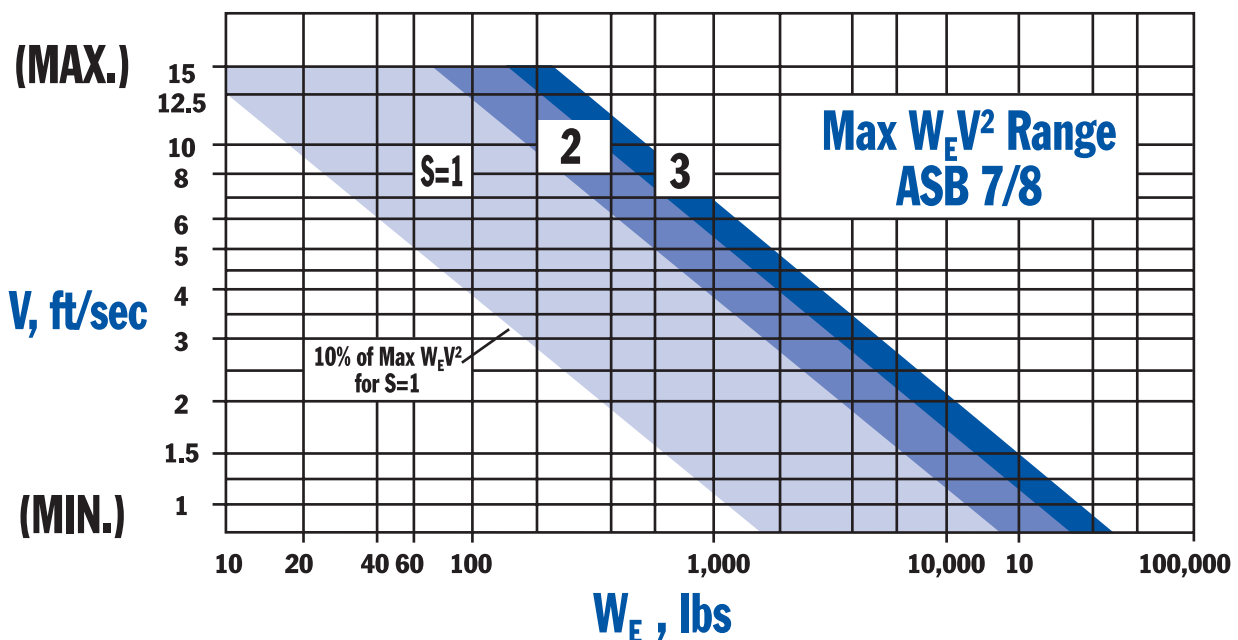
HOW TO ORDER ASB SHOCK-BLOCS

The model designation for ASB SHOK-BLOCS shock absorbers is a coded description of the unit defined as shown in this example.

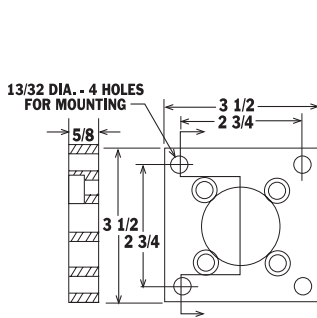
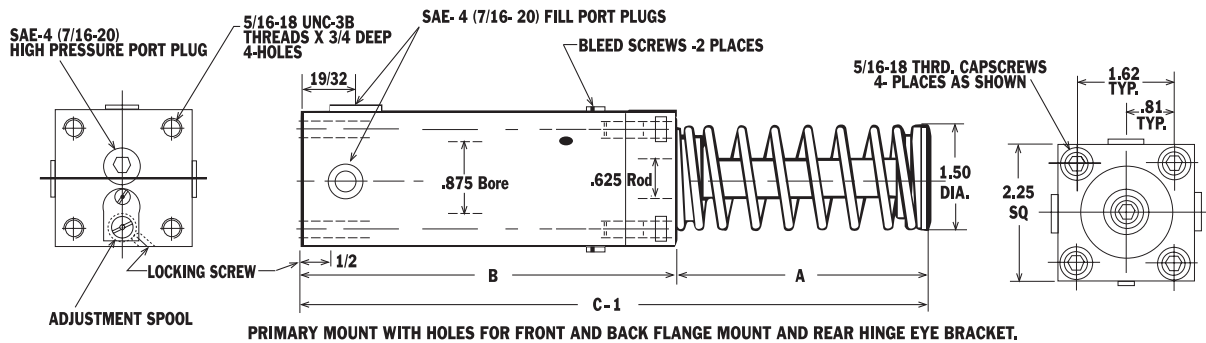
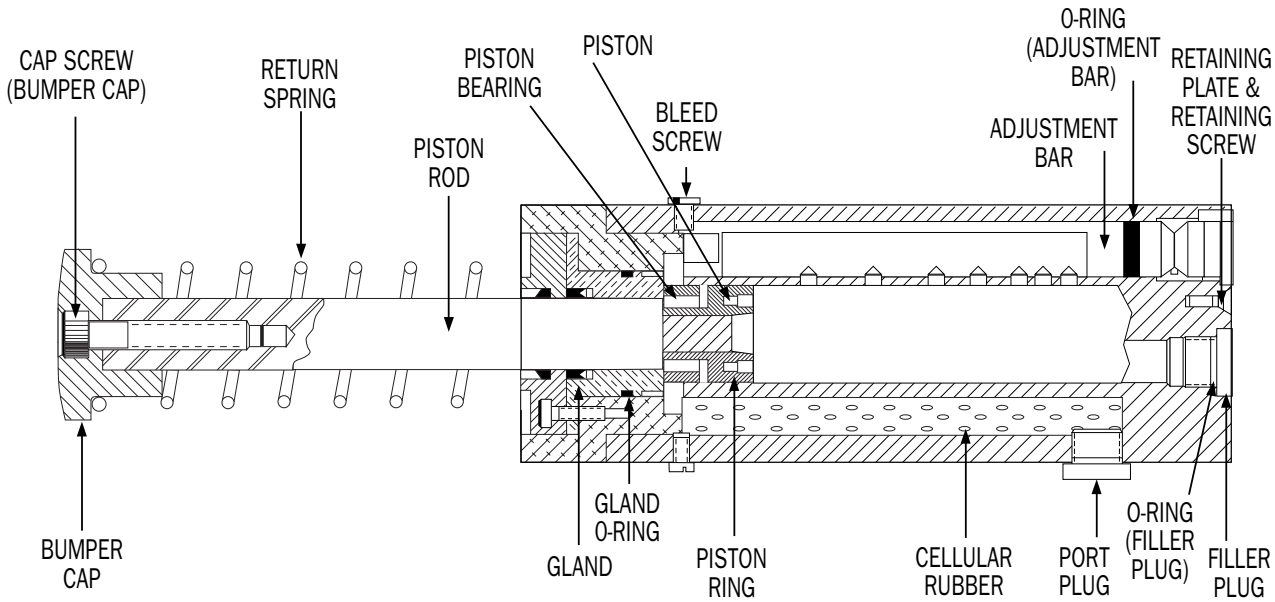
ASB•7/8•1•PS•99

| | | | | |
|--|-------------------|---------------|--|---|
| Adjustable Hydraulic SHOK BLOC | Nominal Bore Size | Stroke Length | Piston Rod Return Method S-Spring Return A-Air | All standard units include designation "99" to indicate they are not modified |
| Mounting Style • P-Primary • B-Sq. Back Flange • F-Sq. Front Flange • HR- Hinge-Rod Eye • HC-Hinge-Clevis • L-Lug Mount (Front & Rear) | | | | |

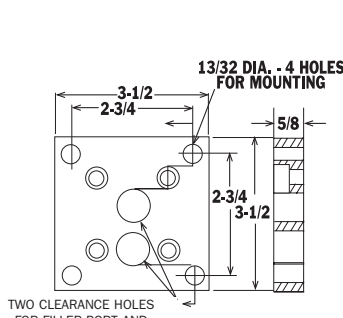
SIZE SELECTION GRAPH



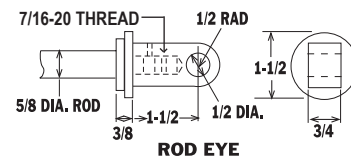
7/8" ASB



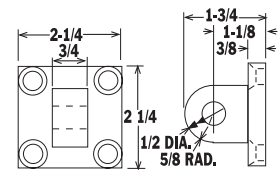
FRONT FLANGE MOUNT



REAR FLANGE MOUNT



ROD EYE



REAR HINGE EYE BRACKET

| Stroke | *Maximum Working Capacity inch-pounds | **Heat Dissipation Capacity inch-pounds per minute |
|--------|---------------------------------------|--|
| 1 | 3,000 | 24,600 |
| 2 | 6,000 | 27,800 |
| 3 | 9,000 | 33,500 |

| DIMENSIONS (INCHES) | | | | |
|---------------------|-------|-------|-------|---------|
| STROKE | A | B | C-1 | C-2* |
| 1 | 2 1/8 | 3 3/4 | 5 7/8 | 8 5/16 |
| 2 | 3 1/8 | 4 3/4 | 7 7/8 | 10 5/16 |
| 3 | 4 1/8 | 5 3/4 | 9 7/8 | 12 5/16 |

*Consult factory for optimum adjustability if unit selected will be used above 80% of its max. working capacity rating when impact velocities are 1.0 F.P.S. or less and under 60% of its max. working capacity rating when impact velocities are 15.0 F.P.S. or greater.

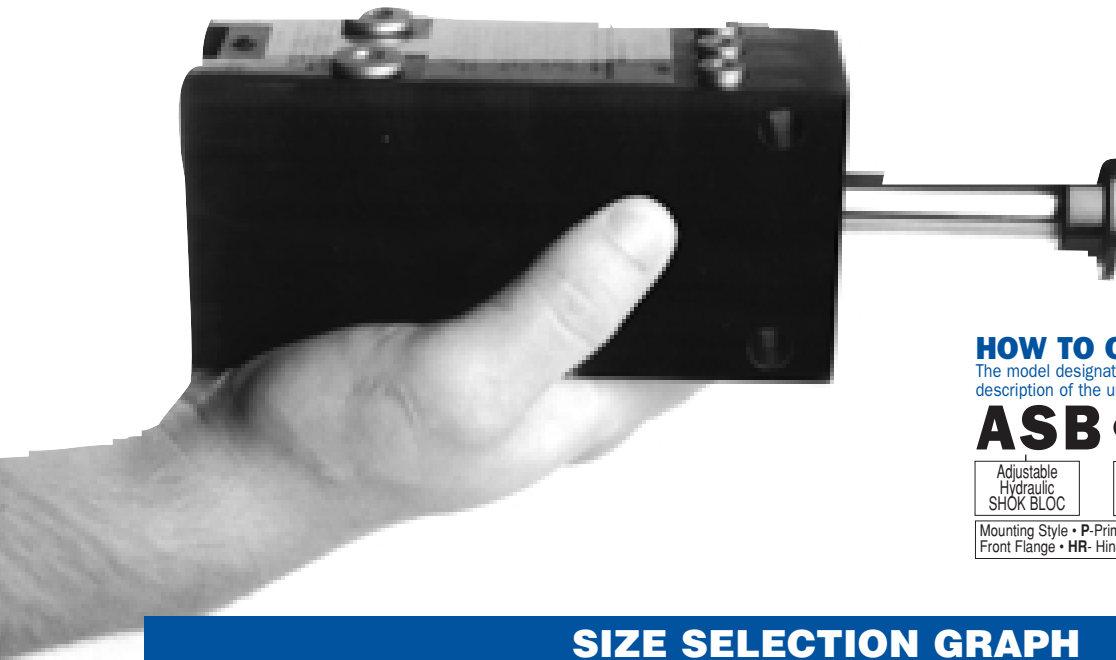
* Center line of Rod Eye Pin Hole to center of Rear Hinge Pin Hole when Piston rod is fully extended.

**Heat capacity ratings can be increased by using special fluid and seals and/or circulating hydraulic systems- consult factory.

ASB 1 1/8" Bore SHOK BLOC®

INFORMATION FOR ASB SHOCKS

- 1, 2 AND 3" STROKE SIZES
- COMPACT, ONE PIECE BODY
- FIELD ADJUSTABLE
- INTERCHANGABLE WITH LOWER CAPACITY UNITS
- RUGGED, FEW MOVING PARTS
- OFF THE SHELF DELIVERY



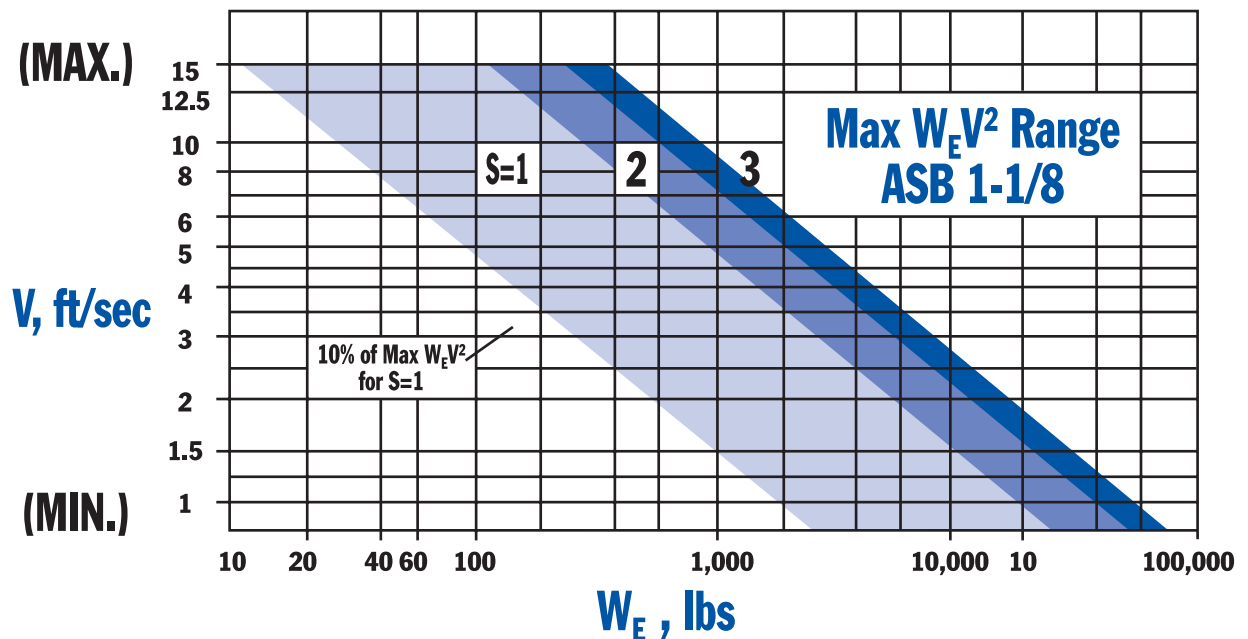
HOW TO ORDER ASB SHOCK-BLOCS

The model designation for ASB SHOK-BLOCS shock absorbers is a coded description of the unit defined as shown in this example.

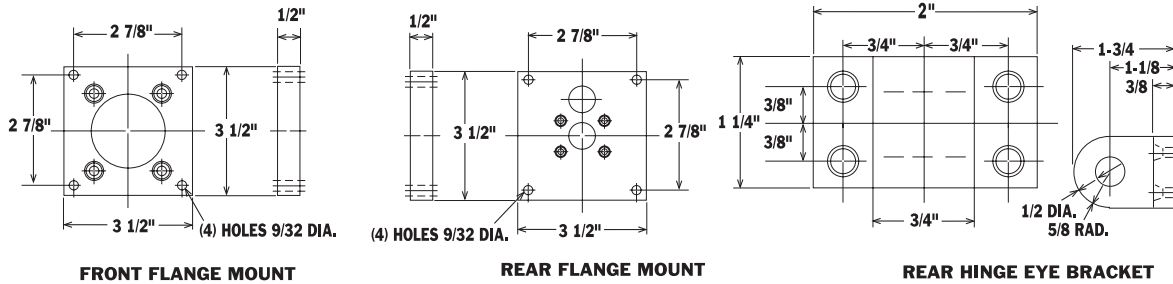
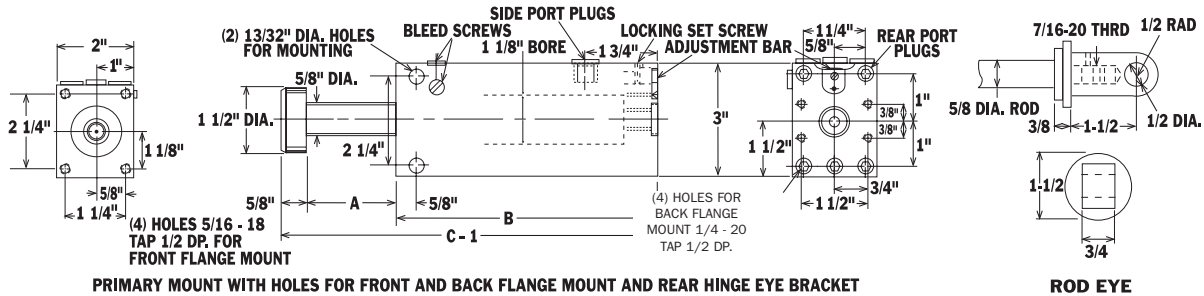
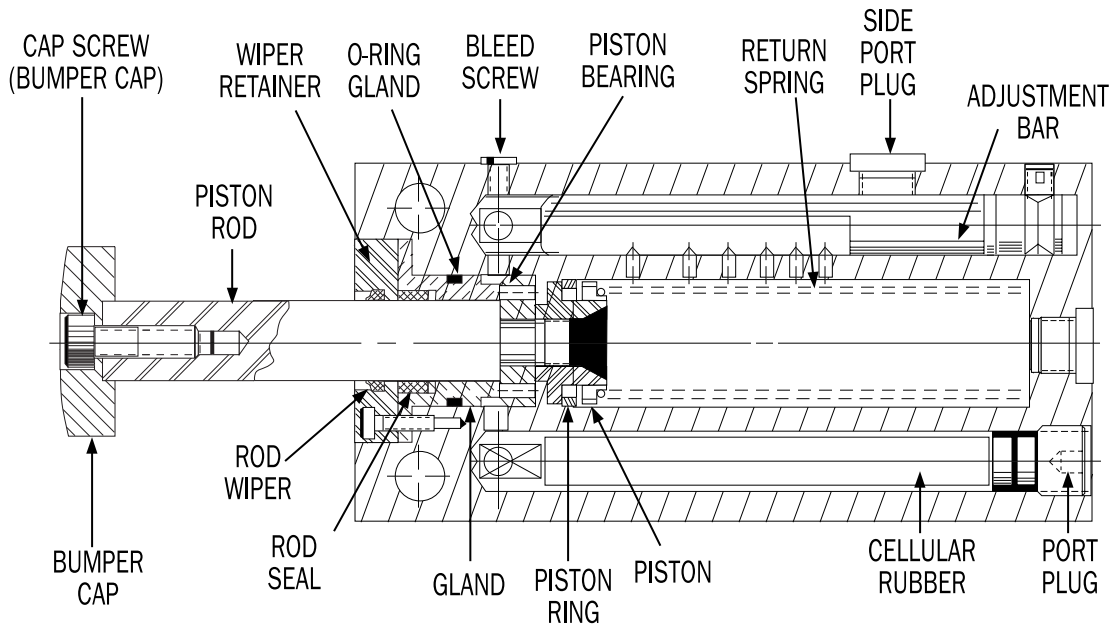
ASB•1•1•PS•99

| | | | | |
|---|-------------------|---------------|--|---|
| Adjustable Hydraulic SHOK BLOC | Nominal Bore Size | Stroke Length | Piston Rod Return Method S-Spring Return A-Air | All standard units include designation "99" to indicate they are not modified |
| Mounting Style • P-Primary • B-Sq. Back Flange • F-Sq. Front Flange • HR- Hinge-Rod Eye • HC-Hinge-Clevis • | | | | |

SIZE SELECTION GRAPH



1 1/8" ASB



* This flange will be provided in 4 3/4" diameter round style until quantities are depleted

| Stroke | *Maximum Working Capacity inch-pounds | **Heat Dissipation Capacity inch-pounds per minute |
|--------|---------------------------------------|--|
| 1 | 5,000 | 40,000 |
| 2 | 10,000 | 50,000 |
| 3 | 15,000 | 60,000 |

| DIMENSIONS (INCHES) | | | | |
|---------------------|-------|-------|--------|--------|
| STROKE | A | B | C-1 | C-2* |
| 1 | 1 1/8 | 4 5/8 | 6 3/8 | 8 5/8 |
| 2 | 2 1/8 | 6 1/4 | 9 | 11 1/4 |
| 3 | 3 1/8 | 8 | 11 3/4 | 14 |

*Consult factory for optimum adjustability if unit selected will be used above 80% of its max. Working capacity rating when impact velocities are 1.0 F.P.S. or less and under 60% of its max. Working capacity rating when impact velocities are 15.0 F.P.S. or greater.

* Center line of Rod Eye Pin Hole to center of Rear Hinge Pin Hole when Piston rod is fully extended.

**Heat capacity ratings can be increased by using special fluid and seals and/or circulating hydraulic systems- consult factory.